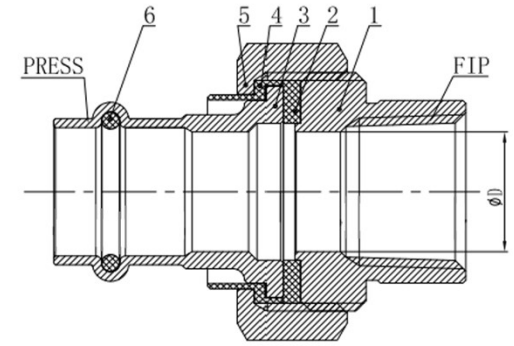


Dielectric Unions

CATEGORY 030



No.	ITEM	MATERIAL
1	Female Fitting	Zinc-Plated Steel
2	Gasket	EPDM
3	Press Fitting	Brass C46500
4	Ring	PE
5	Nut	Zinc-Plated Steel
6	O-Ring	EPDM

FEATURES & BENEFITS

Dielectric Unions are essential for maintaining the integrity of commercial and residential piping systems, offering protection against accelerated corrosion and deterioration. Designed to separate dissimilar metals in plumbing systems, these unions effectively prevent galvanic corrosion by acting as a protective barrier between the metals. This crucial function ensures the longevity and reliability of the piping system, safeguarding against the damaging effects of galvanic and stray current.

- For use with copper, brass, and iron pipes for oil, gas, water, and air lines
- Precision-manufactured tapered pipe threads
- Meets NSF/ANSI/CAN 372 standards for lead-free fittings

PRODUCT CODE	SIZE DESCRIPTION
	FIP GLV x PRESS COPPER-DIELECTRIC UNION-LEAD-FREE
100288005	1/2"
100288007	3/4"
100288010	1"
100288012	1-1/4"
100288015	1-1/2"
100288020	2"



Price List Reference: 030 – Dielectric Unions



cbsupplies.ca